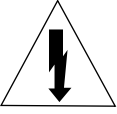


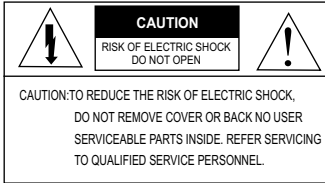
WARNING



To prevent fire or shock hazard. Do not expose the unit to rain or moisture. The symbol is intended to alert the user to the presence of important operating and maintenance (servicing) instructions in the literature accompanying the appliance.



The symbol is intended to alert the user to the presence of uninsulated dangerous voltage within the products enclosure that may be of sufficient magnitude to constitute a risk of electric shock to persons.



CAUTION :
To prevent electric shocks and risk of fire hazards, do NOT use other than specified power source.

WARNING

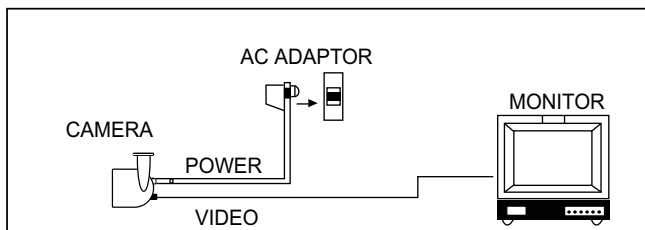
This equipment has been tested and found to comply with the limits for a Class A digital device. Pursuant to part 15 of the FCC Rules. These limits are designed to provide reasonable protection against harmful interference when the equipment is operated in a commercial environment. This equipment generates, uses, and can radiate radio frequency energy and, if not installed and used in accordance with the instruction manual, may cause harmful interference in which case the user will be required to correct the interference at his own expense..

CAUTION

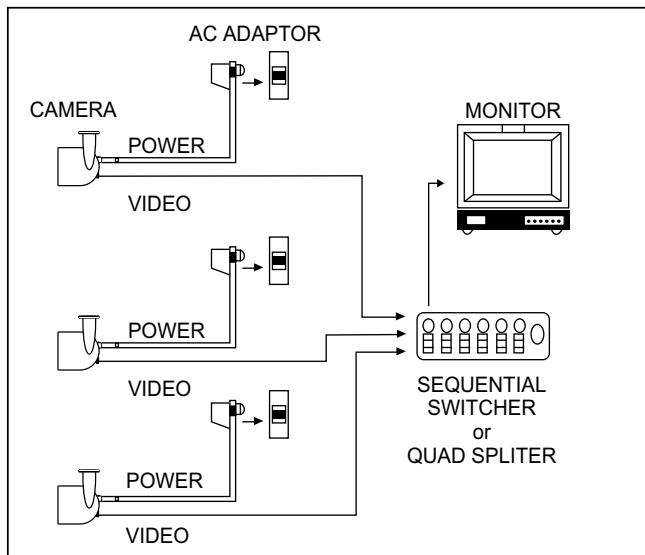
Any changes or modifications in construction of this device which are not expressly approved by the party responsible for compliance could void the users authority to operate the equipment.

CONNECTIONS

Simplest one monitor system with one camera.



One monitor system with two or more cameras.



SIERA ELECTRONICS
SOUND & SECURITY

IR CAMERAS IR ILLUMINATOR



- ◇ VSP 2100 IR ILLUMINATOR
- ◇ VSP 2101 OUTDOOR B&W CAMERA
- ◇ VSP 2102 OUTDOOR COLOR CAMERA

IR ILLUMINATOR

SPECIFICATIONS	
	VSP 2100
IR Distance	10 meter
LED	28 Units
H.V.Angle	40°
Power On	CDS Auto Control
Window	φ 40mm Heat-Resisting Glass
IR Status	Under 10 lux by CDS
Housing	Aluminum
Power Supply	DC12V, 450 mA
Power Consumption	2.0 Watts
Dimensions	52(D) x 65(H)mm

www.sieraelectronics.com

www.sieraelectronics.com/latam

FEATURES

- ◆ Weatherproof
- ◆ 12 LED Camera
- ◆ Clear Image Performance
- ◆ Aluminum Housing
- ◆ For Car Rear View

PRECAUTIONS

- ◆ Do not aim the camera at a reflective surface, which could create glare
- ◆ Do not aim the camera to the sun
- ◆ Do not open the camera cover, otherwise will destroy the waterproof function
- ◆ Do not drop the camera or expose it to strong shocks.
- ◆ Do not clean the camera glass with abrasives or soaps, when the camera becomes dirty, clean it with dry rags. Especially, make sure to use the dedicated rags for lens to clean the glass.
- ◆ Do not place the camera under the seal environment over 50°C.
- ◆ Please use the camera in the right limits of assigned voltage and electric current.

CARACTERÍSTICAS

- ◆ Para uso en intemperie
- ◆ 12 LED
- ◆ Imagen muy clara
- ◆ Cuerpo de aluminio.
- ◆ Para visión trasera de vehículos

PRECAUCIONES

- ◆ No enfocar la cámara a superficies reflectivas.
- ◆ No enfocar la cámara al sol.
- ◆ No abrir la cámara, pues se destruiría la protección para uso en intemperie
- ◆ No deje caer la cámara ni la someta a golpes fuertes..
- ◆ No limpie el lente de la cámara con abrasivos o detergentes, límpielo con un paño suave húmedo. .
- ◆ No exponga la cámara a temperaturas superiores a 50°C.
- ◆ Por favor utilice la cámara dentro de los límites indicados de tensión.

SPECIFICATIONS

	VSP 2101	VSP 2102
Image Pick-up Device	1/3" B/W CCD	1/4" COLOR CCD
Number of Pixels	NTSC:510(H)x492(V); PAL:500(H)x582(V)	
Scanning System	NTSC:525 Lines, 60 Fields; PAL 625 Lines, 50 Fields	
Sync System	Internal Synchronization	
Horizontal Resolution	420TVL	
Gamma Characteristic	0.45	
Video Output	1.0V _{pp} 75 ohm	
S/N Ratio	>48dB (AGC off)	
Electronic Shutter Time	On: NTSC:1/60~1/100,000Sec Off: NTSC 1/60 Sec On: PAL:1/50~1/100,000Sec Off: PAL 1/50 Sec	
Operation Temperature	-10°C to +50°C GH 95% Max	
Storage Temperature	-20°C to +60°C GH 95% Max	
Lens	3.6mm	
IR Distance	10 meter	
LED	12 Units	
Minimum Lux	0 Lux	
BLC	Auto	
Power Supply	DC12V	
Dimensions	60(D) x 58(H)mm	

Data subject to change without prior notice.

ESPECIFICACIONES

	VSP 2101	VSP 2102
Sensor	1/3" B/W CCD	1/4" COLOR CCD
Cant. de Pixels	NTSC:510(H)x492(V); PAL:500(H)x582(V)	
Barrido	NTSC:525 Lines, 60 Fields; PAL 625 Lines, 50 Fields	
Sincronismo	Sincronismo interno	
Resolución Horizontal	420TVL	
Corrección Gamma	0.45	
Salida de Video	1.0V _{pp} 75 ohm	
Relación SR	>48dB (AGC off)	
Obturador electrónico	On: NTSC:1/60~1/100,000Sec Off: NTSC 1/60 Sec On: PAL:1/50~1/100,000Sec Off: PAL 1/50 Sec	
Temp. de Operación	-10°C a +50°C GH 95% Max	
Temp. de almacenaje	-20°C a +60°C GH 95% Max	
Lente	3.6mm	
Alcance del IR	10 metros	
LED	12 unidades	
Iluminación Mínima	0 Lux	
BLC	Automático	
Alimentación	DC12V	
Dimensiones	60(D) x 58(L)mm	

Especificaciones sujetas a cambios sin previo aviso