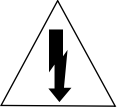


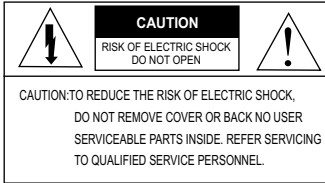
WARNING



To prevent fire or shock hazardous. Do not expose the unit to rain or moisture.
The symbol is intended to alert the user to the presence of important operating and maintenance (servicing) instructions in the literature accompanying the appliance.



The symbol is intended to alert the user to the presence of uninsulated dangerous voltage within the products enclosure that may be of sufficient magnitude to constitute a risk of electric shock to persons.



CAUTION :
To prevent electric shocks and risk of fire hazards, do NOT use other than specified power source.

WARNING

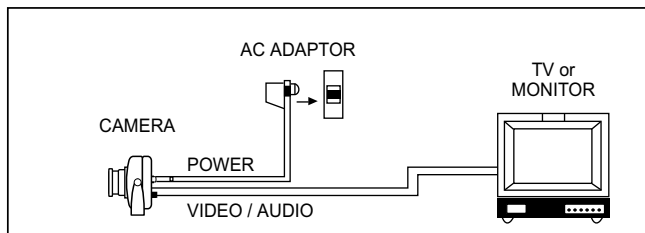
This equipment has been tested and found to comply with the limits for a Class A digital device. Pursuant to part 15 of the FCC Rules. These limits are designed to provide reasonable protection against harmful interference when the equipment is operated in a commercial environment. This equipment generates, uses, and can radiate radio frequency energy and, if not installed and used in accordance with the instruction manual, may cause harmful interference in which case the user will be required to correct the interference at his own expense..

CAUTION

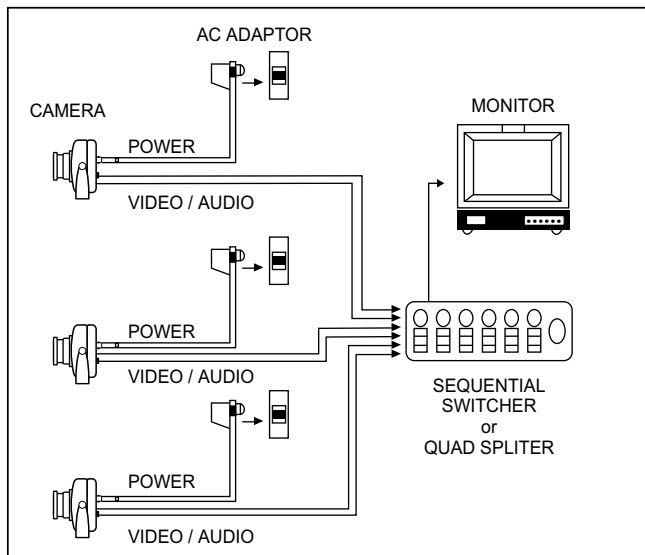
Any changes or modifications in construction of this device which are not expressly approved by the party responsible for compliance could void the users authority to operate the equipment.

CONNECTIONS

Simplest one monitor system with one camera.



One monitor system with two or more cameras.



SIERA ELECTRONICS
SOUND & SECURITY

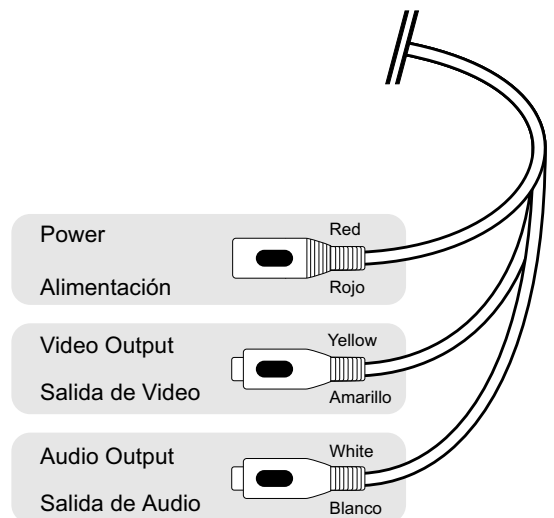
DIGITAL MINI CAMERAS



VIDEO AUDIO

- ◇ VSP 208 1/3" B/W CAMERA
- ◇ VSP 218 1/3" COLOR CAMERA
- ◇ VSP 388 1/4" B/W CAMERA

CONNECTORS CONECTORES



www.sieraelectronics.com

www.sieraelectronics.com/latam

FEATURES

- ◆ Video + Audio Camera
- ◆ Clear Image Performance
- ◆ Sensitive Microphone

PRECAUTIONS

- ◆ Do not aim the camera at a reflective surface, which could create glare
- ◆ Do not aim the camera to the sun
- ◆ Do not open the camera cover
- ◆ Do not drop the camera or expose it to strong shocks.
- ◆ Do not clean the camera lens with abrasives or soaps, when the lens becomes dirty, clean it with dry rags. Especially, make sure to use the dedicated rags for lens.
- ◆ Do not place the camera under the seal environment over 50°C.
- ◆ Please use the camera in the right limits of assigned voltage and electric current.

CARACTERÍSTICAS

- ◆ Cámara con Video + Audio
- ◆ Imagen muy clara
- ◆ Micrófono de alta sensibilidad

PRECAUCIONES

- ◆ No enfocar la cámara a superficies reflectivas.
- ◆ No enfocar la cámara al sol.
- ◆ No deje caer la cámara ni la someta a golpes fuertes..
- ◆ No limpie el lente de la cámara con abrasivos o detergentes, límpielo con un paño suave húmedo.
- ◆ No exponga la cámara a temperaturas superiores a 50°C.
- ◆ Por favor utilice la cámara dentro de los límites indicados de tensión.

SPECIFICATIONS

	VSP 208	VSP 218	VSP 388
Image Pick-up Device	1/3" B/W	1/3" COLOR	1/4" B/W
Number of Pixels	NTSC:510(H) 492(V) PAL:500(H) 582(V)		
Scanning System	NTSC:525 Lines, 60 Field/sec, PAL:625 Lines 50 Field/sec		
Sync System	Internal Synchronization		
Horizontal Resolution	>300TVL	>380TVL	>300TVL
Audio	Integrated Microphone	Integrated Microphone	Included Microphone
Video Output	1.0V _{pp} 75 ohm	1.0V _{pp} 75 ohm	1.0V _{pp} 75 ohm
S/N Ratio	> 46 dB	> 40 dB	> 46 dB
Electronic Shutter Time	On: NTSC:1/60~1/6,000Sec Off: NTSC 1/60 Sec On: PAL:1/50~1/6,000Sec Off: PAL 1/50 Sec		
IR Illuminator	Integrated 6 LED	Simulated 6 LED	
Operation Temperature	-10 ~ +50° C RH95% Max		
Storage Temperature	-20 ~ +60° C RH95% Max		
Lens	3.6mm - 55°		4.6mm - 40°
Lens Mount	Mini Type		
Spare Lens (Not included)	2.5mm - 70° . 6mm - 30°		
Suggested	0 Lux(F:1.2)	3 Lux(F:1.2)	1.5 Lux(F:1.2)
Power Supply	DC 8 -12V		
Consumption	80 mA	40 mA	20 mA
Minimum Lux	0.1 Lux	0.15 Lux	0.1 Lux
Weight	60g	60g	30g
Dimensions	35 (W) x 25 (H) x 30 (D) mm		20 (W) x 25 (H) x 20 (D) mm

Data subject to change without prior notice.

ESPECIFICACIONES

	VSP 208	VSP 218	VSP 388
Sensor	1/3" B/W	1/3" COLOR	1/4" B/W
Cant. De Pixels	NTSC:510(H) 492(V) PAL:500(H) 582(V)		
Barrido	NTSC:525 Líneas, 60 Cuadros/seg, PAL:625 Líneas, 50 Cuadros/seg		
Sincronismo	Sincronismo Interno		
Resolución Horizontal	>300TVL	>380TVL	>300TVL
Audio	Micrófono Integrado	Micrófono Integrado	Micrófono Incorporado
Salida de Video	1.0V _{pp} 75 ohm	1.0V _{pp} 75 ohm	1.0V _{pp} 75 ohm
Relación S/R	> 46 dB	> 40 dB	> 46 dB
Obturador Electrónico	On: NTSC:1/60~1/6,000Sec Off: NTSC 1/60 Sec On: PAL:1/50~1/6,000Sec Off: PAL 1/50 Sec		
Illuminador IR	Integrated 6 LED	Simulated 6 LED	
Temp. de operación	-10 ~ +50° C RH95% Max		
Temp.de almacenaje	-20 ~ +60° C RH95% Max		
Lente	3.6mm - 55°		4.6mm - 40°
Montaje del lente	Mini Type		
Lentes accesorios (No incluidos)	2.5mm - 70° . 6mm - 30°		
Sugerido	0 Lux(F:1.2)	3 Lux(F:1.2)	1.5 Lux(F:1.2)
Alimentación	DC 8 -12V		
Consumo	80 mA	40 mA	20 mA
Illuminación Mínima	0.1 Lux	0.15 Lux	0.1 Lux
Peso	60g	60g	30g
Dimensiones	35 (W) x 25 (H) x 30 (D) mm		20 (W) x 25 (H) x 20 (D) mm

Especificaciones sujetas a cambios sin previo aviso